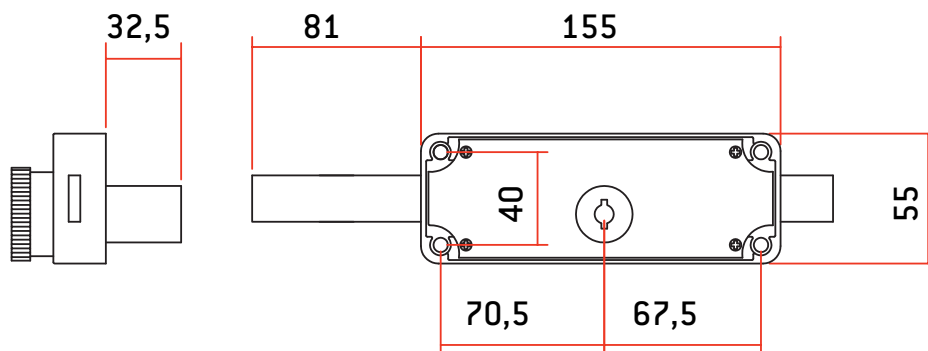


SHUTTER LOCKS: CENTRAL AND SIDE

Model 11ASNC-DC set

- Stainless steel cylinder and keys (AISI 303)
- 11ASNC-DC: Exterior key opening and locking
- 11ASNC-DC: Interior knob opening and locking



MODEL	CODE	WEIGHT (g)	KEY MOD. TS
11ASNC-DC	AACL0008	2.173	2

