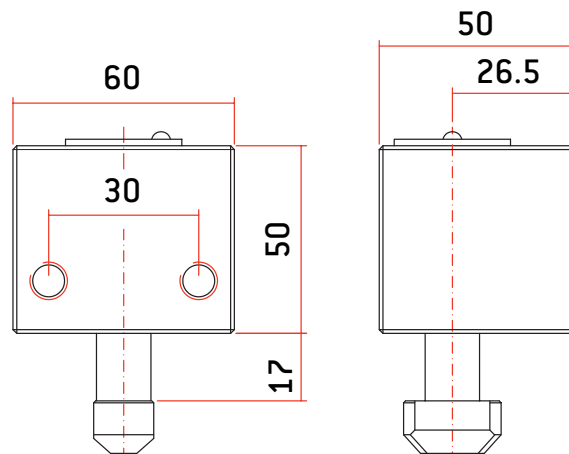



SHUTTER LOCKS: ROLLER FLOOR

Model BB4 (LYF Mod. D3 redondo)

- Chrome-plated steel body
- Stainless steel rod (AISI 303)
- Chrome-plated brass cylinder and keys
- BB4: Key opening and locking



MODEL	CODE	WEIGHT (g)		KEY MOD. AGA49
BB4	AACS0039	1.822		3
BB4 HEAD	AACZ1003	1.285	3	