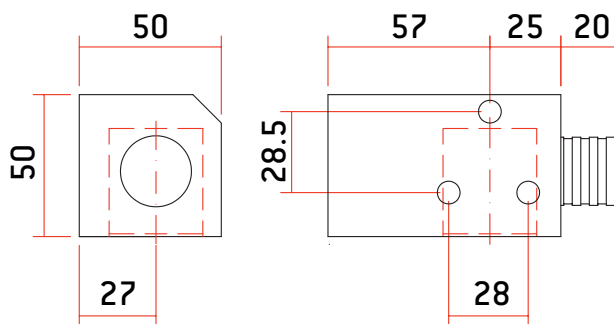


## SHUTTER LOCKS: ROLLER FLOOR

### Model CP12 (KEYMAT Mod. K8)

- Stainless steel body (AISI 303)
- Stainless steel cylinder and keys (AISI 303)
- CP12: Key opening and locking



MODEL	CODE	WEIGHT (g)	KEY MOD. TS
CP12	AACS1027	2.137	2
CP12 HEAD	AACZ0037	1.495	2