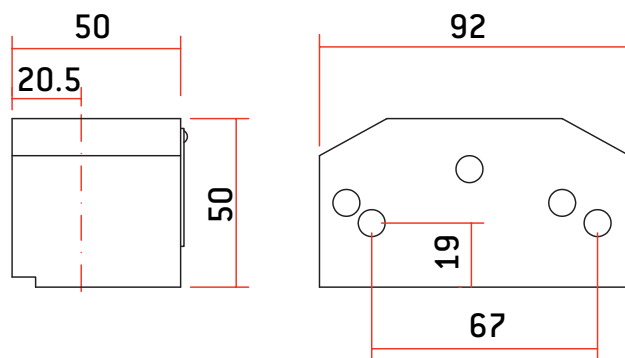


## SHUTTER LOCKS: ROLLER FLOOR

### Model CP5

- Stainless steel body (AISI 303)
- Stainless steel cylinder and keys (AISI 303)
- CP5: Key opening and keyless locking



MODEL	CODE	WEIGHT (g)	KEY MOD. TS
CP5	AACS0013	2.510	2
CP5 HEAD	AACZ0011	1.683	2