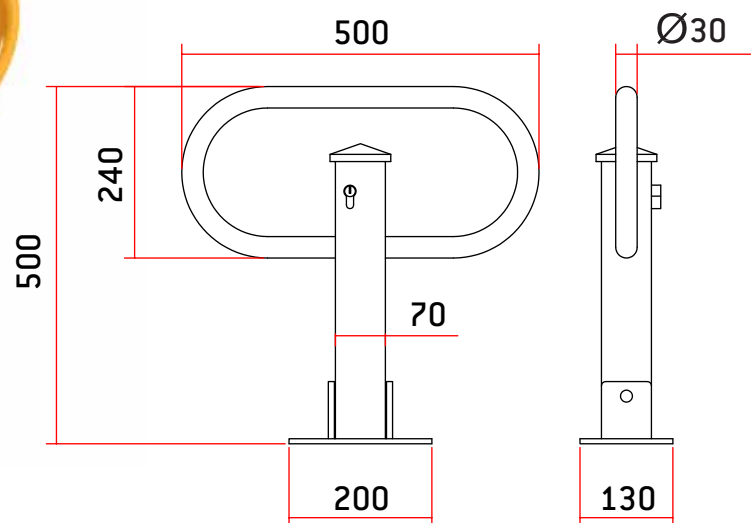


## BARRIERS: CAR PARK

### Model PK2

- Painted iron material
- Single-bit Euro-profile cylinder
- PK2: Key opening and locking



MODEL	CODE	WEIGHT (g)	CYLINDER TYPE
PK2	AACD2002	6.337	3 LLAVES

