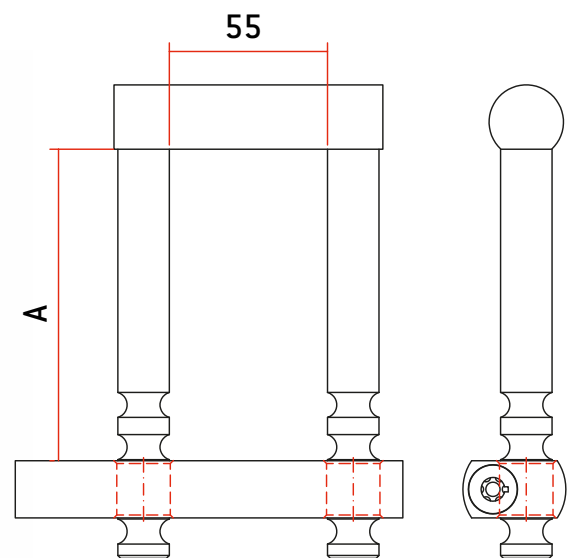


SHUTTER LOCKS: LEAF SPRING AND GATE

Model RCL

- Chrome-plated brass body
- Adjustable stainless steel shackles (AISI 303)
- Stainless steel cylinder and keys (AISI 303)
- RCL: Key opening and locking



MODEL	CODE	WEIGHT (g)	KEY Mod. TS	A (mm)
RCL 45-90	AACB2003	1.432	2	45-60-75-90
RCL 75-120	AACB2004	1.566	2	75-90-105-120