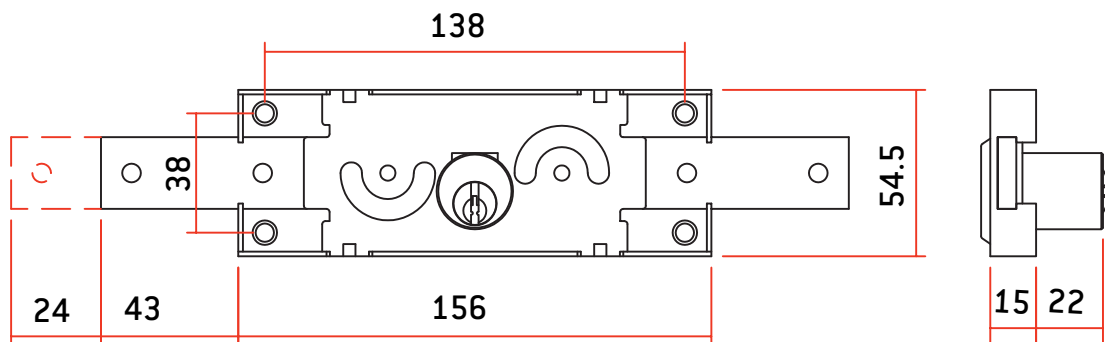


## SHUTTER LOCKS: CENTRAL AND SIDE

### Model SL23

- Brass cylinder and chrome-plated brass flat
- SL23: Interior and exterior key opening and locking



MODEL	CODE	WEIGHT (g)	KEY MOD. SSL
SL23	AACL4015	652	3

