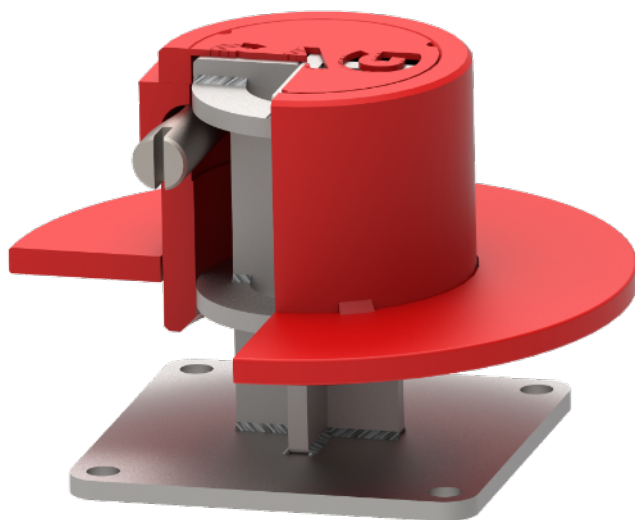
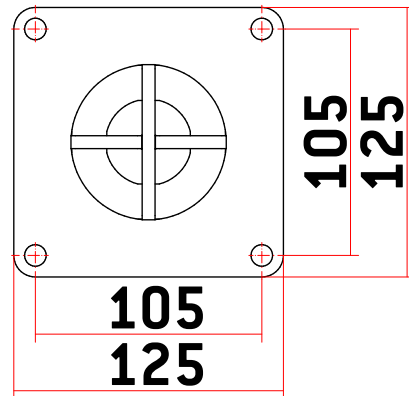
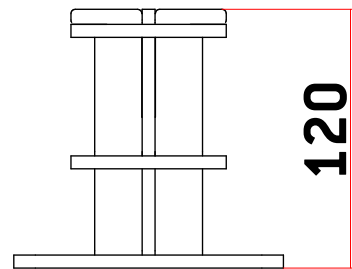
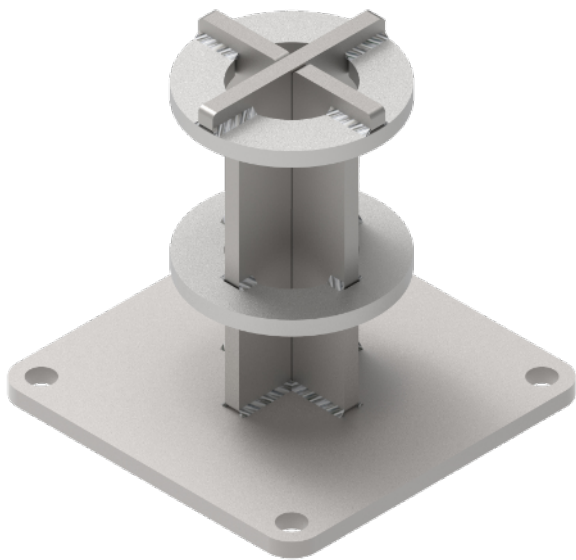


PADLOCKS FOR TRANSPORT

Model Support KIN-PIN-AP

- Stainless steel (AISI 304)



MODEL	CODE	WEIGHT (g)
Support KING-PIN-AP	AACD0114	2.217