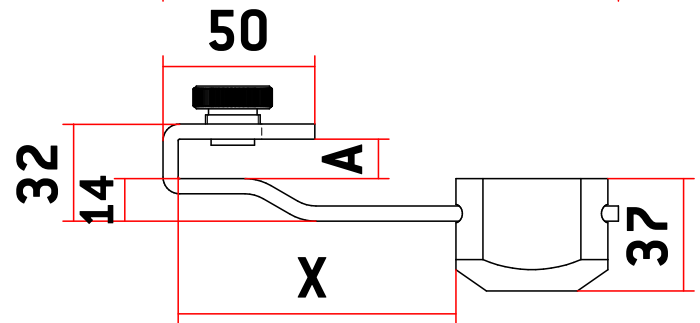
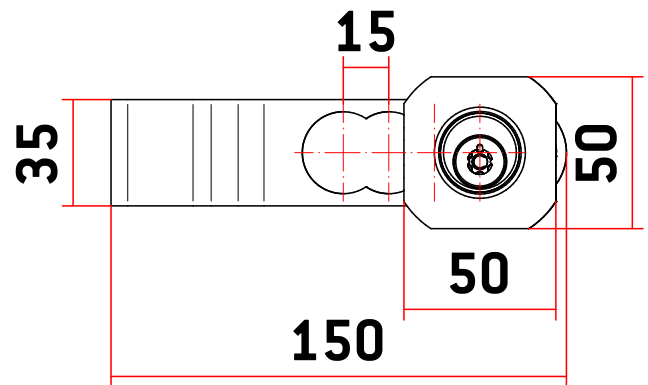
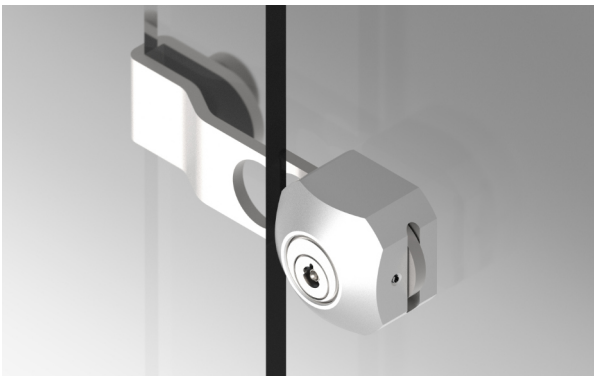


GLAZED DOOR: SLIDING

Model PAT

- Anodised aluminium body
- Stainless steel shackles (AISI 303)
- Stainless steel cylinder and keys (AISI 303)
- PAT: Key opening and locking



MODEL	CODE	WEIGH (g)	KEY Mod. TS	A (mm)	X (mm)
PAT	AACC0018	621	2	12	46 - 61 - 76 - 91
PAT-B	AACC0020	625	2	>12	