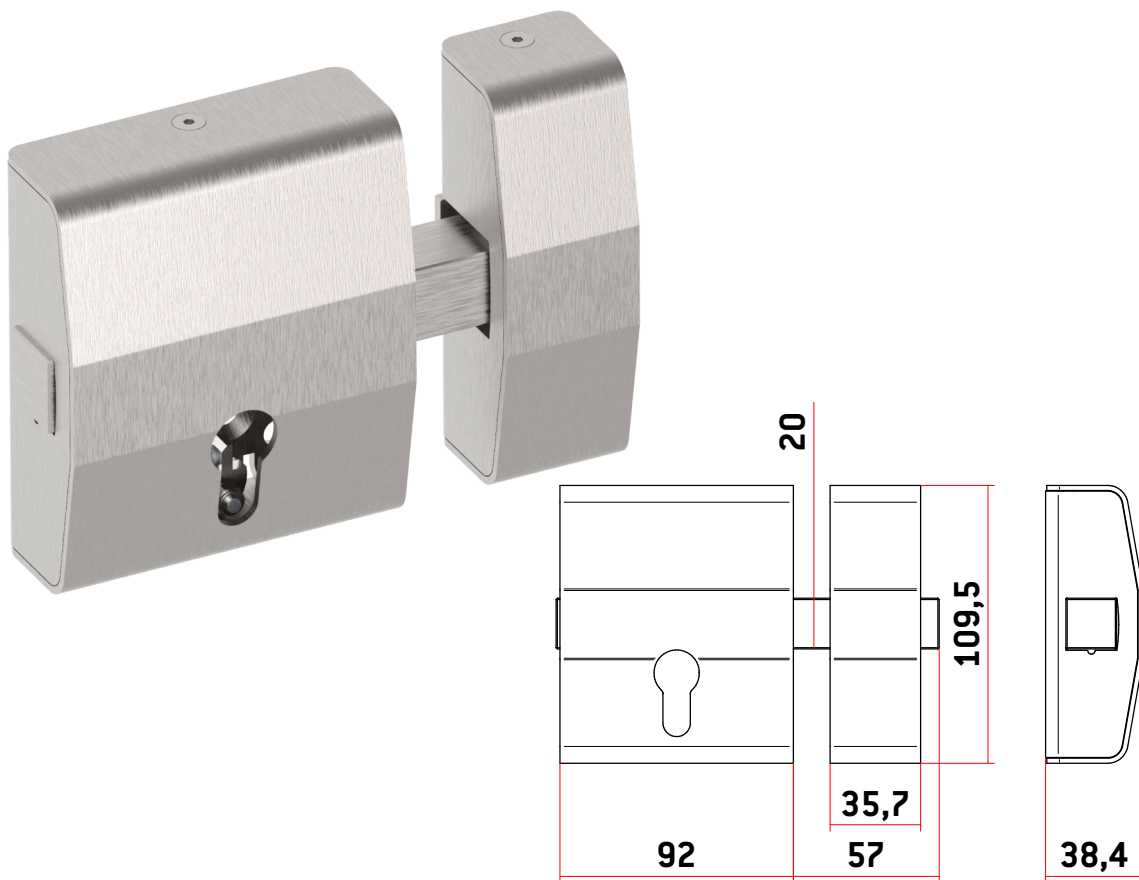



LOCKS

Model EP30-Inox

- Stainless steel base plate, housing and mechanisms (AISI 304)
- Stainless steel Pin (AISI 303)
- Supplied with no cylinder
- EP30-Inox: High-security lock with the possibility of adding a shield plate



MODEL	CODE	WEIGHT (g)	CYLLINDER TYPE (NOT INCLUDED)
EP30-Inox	AACP0062	1.530	

* Note: Please contact SAG Seguridad for custom-made pins